

# OVERLAY (SPRING, FY 2024-2025)

## YAVAPAI COUNTY, ARIZONA

### PROJ. #25-02380

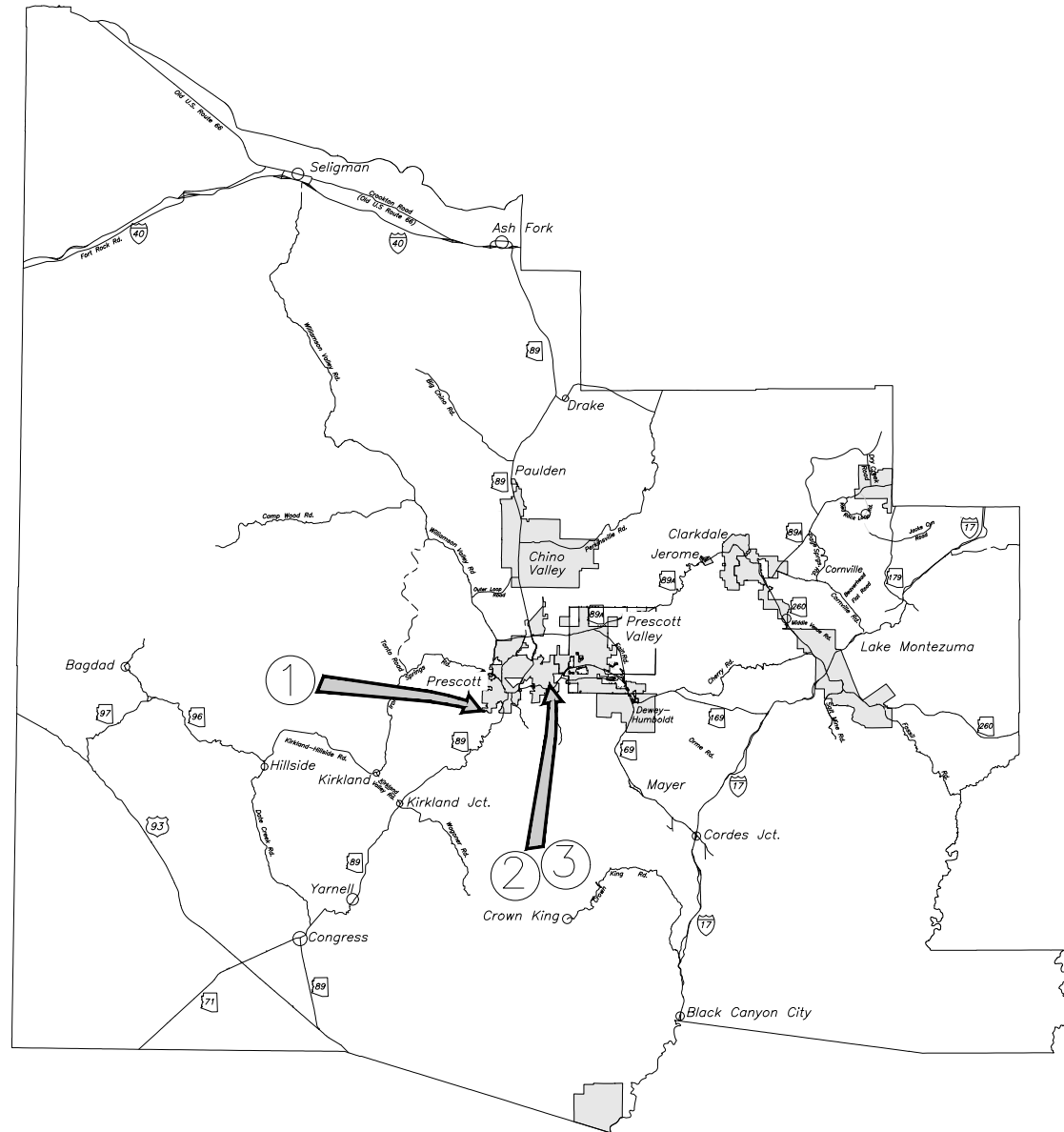


YAVAPAI COUNTY  
BOARD OF SUPERVISORS

- DISTRICT 5 – MARY MALLORY, CHAIR
- DISTRICT 1 – L. BROOKS COMPTON
- DISTRICT 2 – VACANT
- DISTRICT 3 – NIKKI CHECK
- DISTRICT 4 – CHRIS KUKNYO

YAVAPAI COUNTY  
PUBLIC WORKS DEPARTMENT

ROGER McCORMICK, P.E., – PUBLIC WORKS DIRECTOR  
1100 COMMERCE DR. PRESCOTT, ARIZONA 86305  
928-771-3183 (FAX 928-771-3167)



YAVAPAI COUNTY REGIONAL MAP

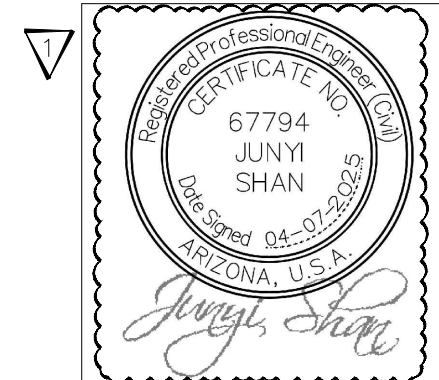
### INDEX OF SHEETS

SHEET	SHEET TITLE
1	COVER
2	NOTES
3	VICINITY MAP AND QUANTITIES (1 OF 2)
4	VICINITY MAP AND QUANTITIES (1 OF 2)
5	DETAILS (1 OF 2)
6	DETAILS (2 OF 2)
7-9	PLAN SHEETS

### KEY TO PROJECT

GROUP ID	GROUP NAME	SHEET REFERENCE
①	SUNLIT DR. AND CHEROKEE RD.	7
②	SAPPHIRE DR.	8
③	JULIE DR.	9

REVISION	REVISION	DATE
1	SHEETS 3, 4	4/07/25



YAVAPAI COUNTY  
PUBLIC WORKS DEPARTMENT  
1100 COMMERCE DR. PRESCOTT, ARIZONA 86305  
(928) 771-3183  
ROGER McCORMICK, P.E. – PUBLIC WORKS DIRECTOR

PROJECT NAME:	OVERLAY (SPRING, FY 2024-2025)	PROJECT NUMBER:	25-02380
DESIGN BY:	TC	DRAWN BY:	TC
CHECKED BY:	JS	DATE:	4/7/2025
SHEET NAME:	COVER	SHEET:	1 OF 9



## GENERAL NOTES

1. THE CONTRACTOR SHALL BE RESPONSIBLE TO REPORT ANY DISCREPANCIES IN THE PLANS AND OR FIELD CONDITIONS IMMEDIATELY TO THE ENGINEER FOR RESOLUTION PRIOR TO CONSTRUCTION. CONTRACTOR SHALL BE RESPONSIBLE FOR DISCREPANCIES NOT SO REPORTED AND RESOLVED.
2. THE CONTRACTOR AGREES, IN ACCORDANCE WITH GENERALLY ACCEPTED CONSTRUCTION PRACTICES, HE WILL BE REQUIRED TO ASSUME SOLE AND COMPLETE RESPONSIBILITY FOR JOB SITE CONDITIONS DURING THE COURSE OF CONSTRUCTION OF THIS PROJECT INCLUDING SAFETY OF ALL PERSONS AND PROPERTY. THIS REQUIREMENT SHALL BE MADE TO APPLY CONTINUOUSLY AND NOT BE LIMITED TO NORMAL WORKING HOURS.
3. CONSTRUCTION IS TO BE TYPICALLY PERFORMED WITHIN THE EXISTING RIGHT-OF-WAY LIMITS FOR THIS PROJECT. ADDITIONAL RIGHT-OF-WAY OR CONSTRUCTION EASEMENTS HAVE BEEN SECURED OUTSIDE THE LIMITS SHOWN ON THE PLANS OR AS SPECIFIED BY THE COUNTY. THE CONTRACTOR SHALL PROCEED WITH CONSTRUCTION WITH THIS IN MIND AND SHALL PHASE CONSTRUCTION, AS NECESSARY, TO ACCOMMODATE ANY RIGHT-OF-WAY LIMITATIONS. IT IS THE RESPONSIBILITY OF THE CONTRACTOR TO COMMUNICATE ANY RIGHT-OF-WAY ISSUES OR CONCERNS PROMPTLY WITH THE COUNTY FOR RESOLUTION.
4. ALL CONSTRUCTION PERFORMED OUTSIDE OF COUNTY RIGHT-OF-WAY/CONSTRUCTION EASEMENTS AND WITHIN PRIVATE PROPERTY SHALL BE THE RESPONSIBILITY OF THE CONTRACTOR. ANY DAMAGES TO PRIVATE PROPERTY DURING CONSTRUCTION ACTIVITIES SHALL BE ADDRESSED AND PAID FOR BY THE CONTRACTOR. CONTRACTOR SHALL REFER TO THE SPECIFICATIONS FOR FURTHER INFORMATION.
5. WHERE ONLY THE HORIZONTAL LOCATION OF AN EXISTING UTILITY IS SHOWN, THE LOCATION IS APPROXIMATE. THE CONTRACTOR SHALL COMPLY WITH ALL CURRENT BLUE STAKE LAWS AND CONTACT BLUESTAKE A MINIMUM OF TWO DAYS PRIOR TO CONSTRUCTION (1-800-STAKE-IT).

## PAVING NOTES

1. ALL ASPHALTIC CONCRETE SHALL BE MAG ½" HIGH TRAFFIC MIX WITH PG 64-22 BINDER PER YAVAPAI COUNTY MODIFIED MAG STANDARD SPECIFICATION SECTION 321.
2. PRIOR TO PAVING CONTRACTOR SHALL CLEAN AND PREPARE EXISTING SURFACE PER MAG SECTION 321.
3. ALL LONGITUDINAL JOINTS SHALL BE RAKED AND COMPACTED.
4. MAINLINE IS TO BE PAVED PRIOR TO PAVING THE DRIVEWAYS AND SIDE STREETS, AS APPLICABLE.
5. THE CONTRACTOR IS RESPONSIBLE FOR INSTALLING ON SITE MATERIAL OR SELECT MATERIAL FOR SHOULDER AFTER THE PAVEMENT IS INSTALLED FOR ALL AREAS UNLESS NOTED OTHERWISE IN THE CONSTRUCTION DRAWINGS OR CONTRACT DOCUMENTS. WIDTH AND THICKNESS OF SHOULDER MATERIAL VARIES. SHOULDER MATERIAL SHALL BE COMPACTED PER THE SPECIFICATIONS.
6. THE CONTRACTOR IS RESPONSIBLE FOR ESTABLISHING A CONSTRUCTION CENTERLINE AND TO PROVIDE STAKING IN THE FIELD.
7. ALL MILLED SURFACES MUST BE PAVED PRIOR TO OPENING TO TRAFFIC UNLESS APPROVED IN ADVANCE BY THE ENGINEER.
8. EXACT LIMITS OF THICKENED EDGE SHALL BE DETERMINED BY THE ENGINEER.

## SIDE ROAD/DRIVEWAY MATCHING NOTES

1. EXACT LIMITS OF SIDE ROAD/DRIVEWAY REMOVALS AND MATCHING SHALL BE FIELD VERIFIED BY THE ENGINEER PRIOR TO SAWCUTTING AND REMOVAL.
2. CONTRACTOR SHALL PROTECT EXISTING "SURFACED" SIDE ROADS AGAINST HEAT DAMAGE, TRACKING OF DIRT, TAR, OIL, AND OTHER UNSIGHTLY DEBRIS, AS WELL AS PROTECTION FROM DAMAGE.

## STRIPING NOTES

1. PRIOR TO REMOVALS OR OVERLAYING OF THE ROADWAY, THE CONTRACTOR'S SURVEYOR SHALL ESTABLISH ALL LOCATIONS FOR STRIPING, GAPS IN PAINT STRIPING, CROSS WALKS, STOP BARS, PASSING LANES, SIGNS, MARKERS AND DELINEATORS. RESTORE PAINT STRIPING AS SHOWN ON DRAWING PER LINE TYPE/COLOR. ALL STRIPING QUANTITIES ARE BASED ON ADOT STANDARD SPECIFICATIONS.
2. UPON COMPLETION OF THE PROJECT THE CONTRACTOR'S SURVEYOR SHALL ESTABLISH NEW CENTERLINE STRIPING BASED UPON THE NEW ACTUAL CENTER OF THE ROADWAY PAVEMENT. EDGELINES SHALL BE OFFSET FROM THE NEW CENTER OF THE ROADWAY TO CREATE EQUAL LANE WIDTHS, UNLESS OTHERWISE SPECIFIED IN THE PLANS, INFORMATION GATHERED FROM THE CONTRACTOR'S SURVEYOR PRIOR TO REMOVALS AND OVERLAYING SHALL BE USED TO REESTABLISH STRIPING BREAKS, MARKINGS, ETC AS NEEDED.
3. PAINT STRIPING SHALL BE PERFORMED IN TWO PHASES WITH A CURE TIME SEPARATION OF 10-15 CALENDAR DAYS (AS APPROVED BY THE ENGINEER). ALL PHASE 1 STRIPING SHALL BE PERMANENT PAVEMENT MARKINGS (PAINT APPLICATION PER ADOT 708). PHASE 2 STRIPING & MARKING CONSISTS OF PERMANENT PAVEMENT MARKINGS (ADOT 708) & THERMOPLASTIC (ADOT 704). SEE THE TECHNICAL SPECIFICATIONS FOR ADDITIONAL INFORMATION.
4. PRIOR TO FINAL (PHASE 2) STRIPING, THE EXACT TERMINATION POINTS OF BOTH THE CL "DOUBLE YELLOW" STRIPE, AND THE "WHITE" EDGELINES, SHALL BE APPROVED BY ENGINEER. FURTHERMORE, AS DIRECTED BY THE ENGINEER, IT MAY BE NECESSARY TO EXTEND PAINT STRIPING & MARKING BEYOND THE LIMITS SHOWN DUE TO OIL TRACKING AND OBSCURING ON ADJACENT ROADWAY PAVEMENTS. IF THIS IS DONE INTO THE ADOT R.O.W., PAINT STRIPING SHALL MATCH THE WIDTH AND SPACING OF EXISTING MARKINGS.
5. IN GENERAL, PAINT STRIPING SHALL BE INSTALLED PER ADOT STANDARD SPECIFICATIONS, HORIZONTAL WIDTHS AND SPACINGS CAN VARY DEPENDING UPON THE RIGHT OF WAY OWNERSHIP AND APPLICATION. THE FOLLOWING ADOT STANDARD SPECIFICATIONS APPLY:

ADOT 704 - THERMOPLASTIC PAVEMENT MARKINGS  
ADOT 708 - PERMANENT PAVEMENT MARKINGS

THE FOLLOWING TABLE INDICATES GENERAL DIMENSIONS AND INFORMATION FOR PAINT STRIPING AND MARKINGS FOR NORMAL COUNTY PROJECTS AND ASSOCIATED ADOT PRACTICES:

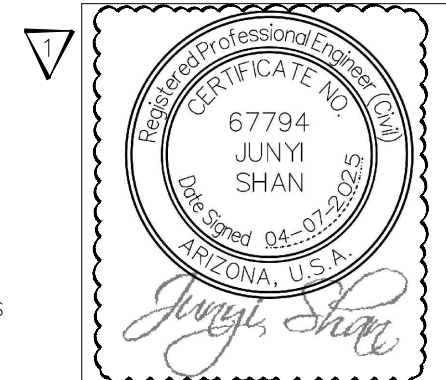
TYPE	COLOR	WIDTH	HORIZ. SPACING	LONGITUDINAL SPACING	COMMENTS
CENTERLINE "DOUBLE"	YELLOW	6"	6" CLR	N/A	ADOT 708
EDGE LINE	WHITE	6"	N/A	N/A	ADOT 708
CHANNELIZATION (TURN POCKET)	WHITE	12"	N/A	N/A	ADOT 708
STOP BAR	WHITE	18"	N/A	N/A	THERMOPLASTIC ADOT 704
ARROWS & "ONLY"	WHITE	N/A	N/A	N/A	THERMOPLASTIC ADOT 704

## LEGEND

	2" AC OVERLAY
	2" MILL & FILL
	ML-1
	ML-2
	ROW LIMITS (APPROX.)
	EXISTING EDGE OF ROAD
	PROPOSED EDGE OF PAVEMENT
	ROAD CENTERLINE ALIGNMENT
	SEWER MANHOLE
	WATER VALVE

## LIST OF ABBREVIATIONS

ADOT	ARIZONA DEPARTMENT OF TRANSPORTATION
AB	AGGREGATE BASE
AC	ASPHALTIC CONCRETE
BFS	BEGIN FULL SUPERELEVATION
BLDG	BUILDING
BNC	BEGIN NORMAL CROWN
CL	CENTERLINE
CLR	CLEAR
CMP	CORRUGATED METAL PIPE
CONC	CONCRETE
DIA	DIAMETER
DTL	DETAIL
DWY	DRIVEWAY
E	EASTING
EA	EACH
ENGR	ENGINEER
EOP	EDGE OF PAVEMENT
EX	EXISTING
EXTN	EXTENSION
FAM	FAMILY
FHWA	FEDERAL HIGHWAY ADMINISTRATION
FT	FEET (ELEVATION)
GAL	GALLON
GRND	GROUND
GR	GUARDRAIL
HZ	HORIZONTAL
IE	INVERT ELEVATION
L	LENGTH -OR- LENGTH OF CURVE
LF	LINEAR FEET
LIV	LIVING
LS	LUMP SUM
LT	LEFT
LWC	LOW WATER CROSSING
MAG	MARICOPA ASSOCIATION OF GOVERNMENTS
MATL	MATERIAL
MUTCD	MANUAL ON UNIFORM TRAFFIC CONTROL DEVICES
N	NORTHING
NP	NON-PAY ITEM
PC	POINT OF CURVE
PCCP	PORTLAND CEMENT CONCRETE PAVEMENT
PT	POINT OF TANGENT
PVMNT	PAVEMENT
QTY	QUANTITY
R	RADIUS
RE-CON	RECONSTRUCTION
REVOC	REVOCABLE
RC	REVERSE CROWN
RCB	REINFORCED CONCRETE BOX
RD	ROAD
ROW	RIGHT OF WAY
RPM	RAISED PAVEMENT MARKER
RT	RIGHT
STD	STANDARD
SHLDR	SHOULDER
SHT	SHEET
STA	STATION
SY	SQUARE YARD
TN	TON
TYP	TYPICAL
VERT	VERTICAL
VG	VALLEY GUTTER
W/	WITH
W	WIDTH
YC	YAVAPAI COUNTY
YCPW	YAVAPAI COUNTY PUBLIC WORKS



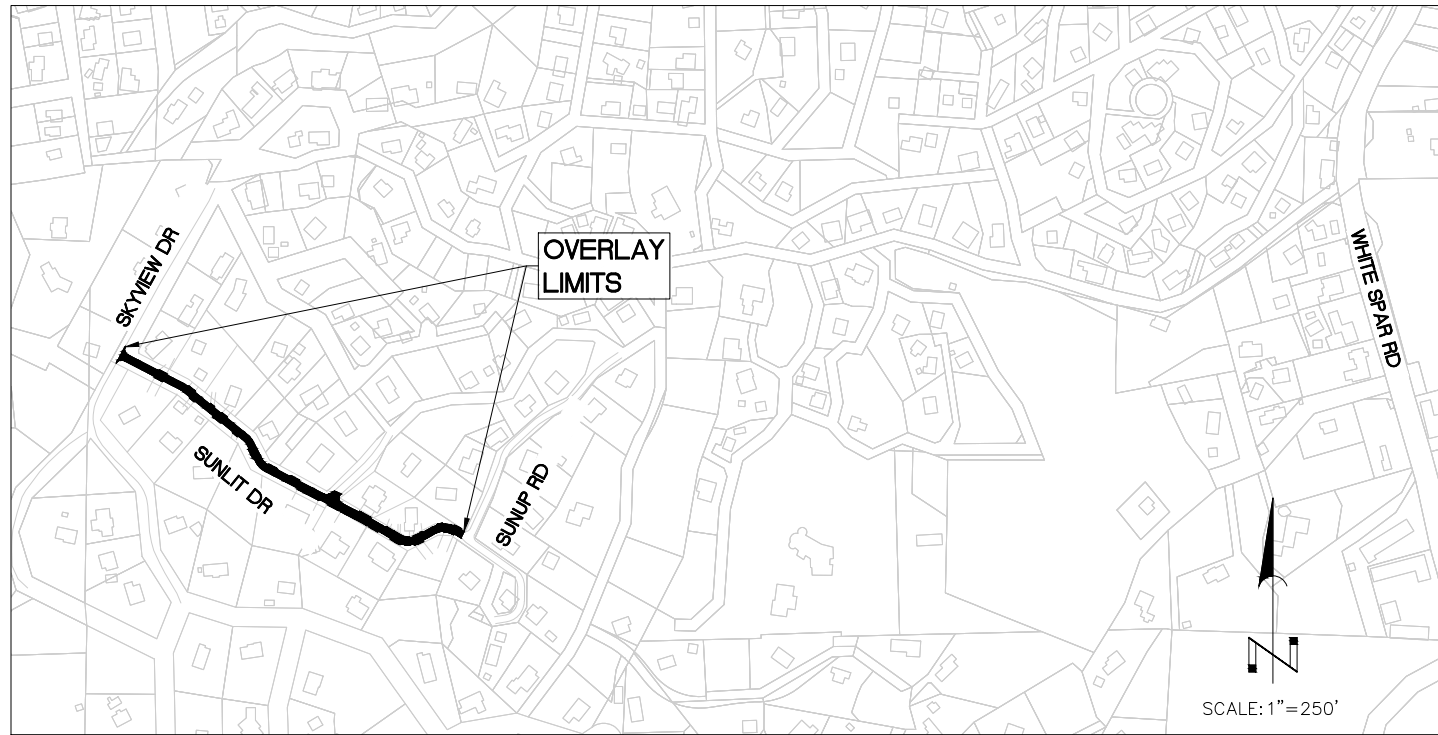
**YAVAPAI COUNTY**  
**PUBLIC WORKS DEPARTMENT**  
1100 COMMERCE DR. PRESCOTT, ARIZONA 86305  
(928) 771-3183  
ROGER McCORMICK, P.E. - PUBLIC WORKS DIRECTOR

PROJECT NAME:	OVERLAY (SPRING, FY 2024-2025)
PROJECT NUMBER:	25-02380
DESIGN BY:	TC
DRAWN BY:	TC
CHECKED BY:	JS
DATE:	4/7/2025
SHEET:	2 OF 9

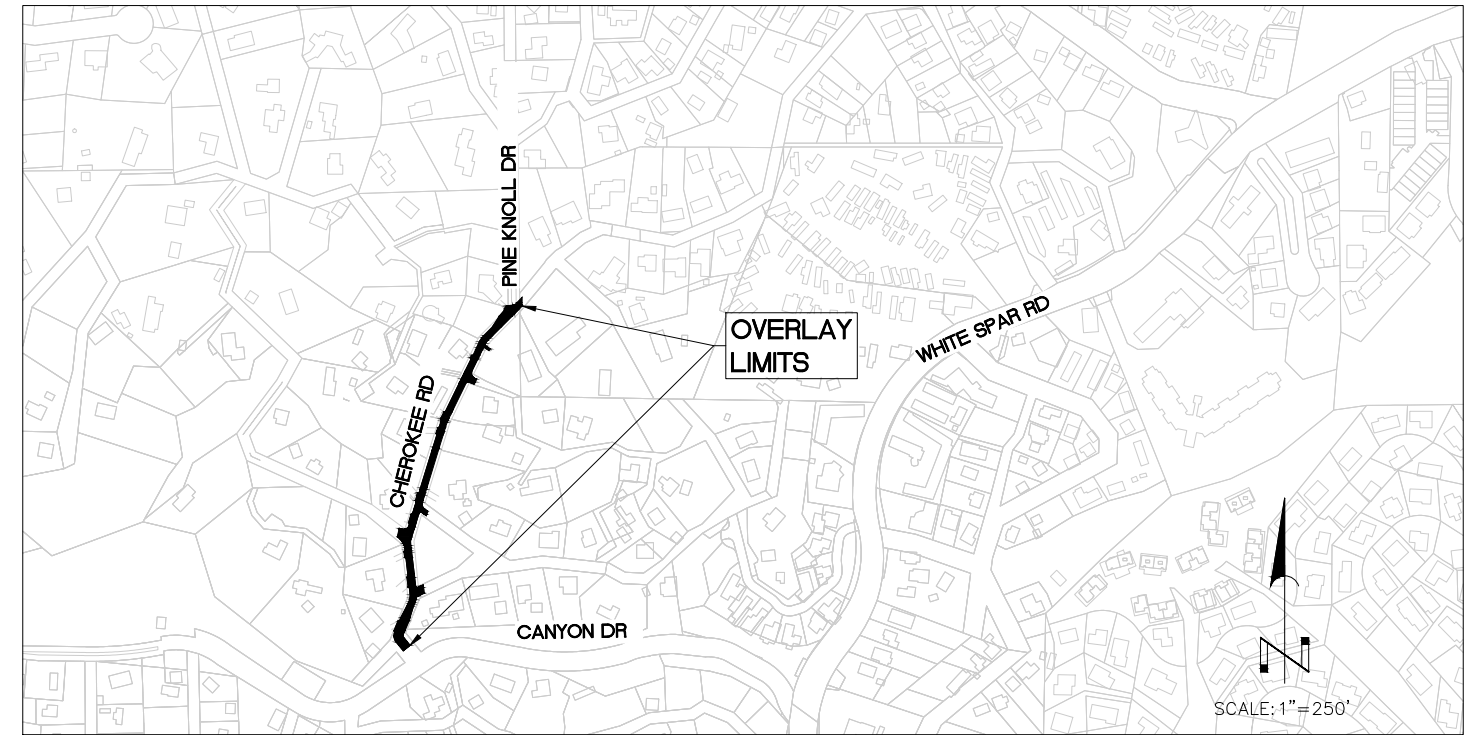


NOTES

## SUNLIT DRIVE VICINITY MAP



## CHEROKEE ROAD VICINITY MAP



### SUNLIT DRIVE EST QUANTITIES

Item No.	Description	Quantity	Unit
1	2" Overlay Asphaltic Concrete Pavement, 1/2" High Traffic, PG 64-22	282	TN
2	Shoulder Build-Up and Grading	1,297	LF
3	Shouldering Material	15	TN
4	Bituminous Tack Coat (0.10 GAL/SY)	247	GAL
5	Bituminous Pavement Removal by Milling and Disposal, Mill 2"	190	SY
6	Thickened Edge Pavement Prep	100	LF
7	Pavement Match Type "ML1"	2	EA
8	Pavement Match Type "ML2"	1	EA
9	Pavement Match Type "C-1"	12	EA
10	Pavement Match Type "G-1"	8	EA
11	Pavement Match Type "P-1"	2	EA

### CHEROKEE ROAD EST QUANTITIES

Item No.	Description	Quantity	Unit
1	2" Overlay Asphaltic Concrete Pavement, 1/2" High Traffic, PG 64-22	256	TN
2	Shoulder Build-Up and Grading	1,594	LF
3	Shouldering Material	18	TN
4	Bituminous Tack Coat (0.10 GAL/SY)	225	GAL
5	Thickened Edge Pavement Prep	100	LF
6	Pavement Match Type "ML1"	2	EA
7	Pavement Match Type "ML2"	4	EA
8	Pavement Match Type "C-1"	1	EA
9	Pavement Match Type "C-2"	5	EA
10	Pavement Match Type "G-1"	4	EA
11	Water Valve Frame Adjustment	1	EA
12	Manhole Frame adjustment	5	EA

### SUNLIT DRIVE GENERAL NOTES

- REGULATORY (POSTED) SPEED LIMIT = 25 MPH
- AVERAGE DAILY TRAFFIC (ADT) = 50
- LENGTH OF PROJECT = 1,060 LF

### CHEROKEE ROAD GENERAL NOTES

- REGULATORY (POSTED) SPEED LIMIT = 25 MPH
- AVERAGE DAILY TRAFFIC (ADT) = 181
- LENGTH OF PROJECT = 997 LF

### SUNLIT DRIVE UTILITY COMPANY NOTES

THE FOLLOWING LISTING OF COMPANIES REPRESENT UTILITIES THAT MAY EXIST IN THE AREA. UTILITIES ARE NOT SHOWN ON THESE PLANS AND IT IS THE SOLE RESPONSIBILITY OF THE CONTRACTOR TO DETERMINE THE EXISTENCE OF UTILITIES IN THE AREA AND NOTIFY BLUE STAKE AT LEAST 48 HOURS PRIOR TO INITIATING ANY CONSTRUCTION AT THE SITE.

**CULVERT/STORM DRAIN**  
ARIZONA DEPT. OF  
TRANSPORTATION-MARICOPA  
TIOFILO (TJ) SOTO  
928-277-2926

**CATV**  
CABLE ONE - PRESCOTT  
USIC DISPATCH CENTER  
800-778-9140

**GAS**  
UNISOURCE ENERGY -  
PRESCOTT  
DEVON LOBSTEIN  
520-437-3267

**ELECTRIC**  
ARIZONA PUBLIC SERVICES-  
PRESCOTT  
APS LOCATE DEPARTMENT  
602-493-4225

**RECLAIMED WATER SEWER  
WATER**  
CITY OF PRESCOTT  
DOUG FULLER (STREETS)  
928-777-1126

### CHEROKEE ROAD UTILITY COMPANY NOTES

THE FOLLOWING LISTING OF COMPANIES REPRESENT UTILITIES THAT MAY EXIST IN THE AREA. UTILITIES ARE NOT SHOWN ON THESE PLANS AND IT IS THE SOLE RESPONSIBILITY OF THE CONTRACTOR TO DETERMINE THE EXISTENCE OF UTILITIES IN THE AREA AND NOTIFY BLUE STAKE AT LEAST 48 HOURS PRIOR TO INITIATING ANY CONSTRUCTION AT THE SITE.

**CULVERT/STORM DRAIN**  
ARIZONA DEPT. OF  
TRANSPORTATION-MARICOPA  
TIOFILO (TJ) SOTO  
928-277-2926

**CATV**  
CABLE ONE - PRESCOTT  
USIC DISPATCH CENTER  
800-778-9140

**GAS**  
UNISOURCE ENERGY -  
PRESCOTT  
DEVON LOBSTEIN  
520-437-3267

**ELECTRIC**  
ARIZONA PUBLIC SERVICES-  
PRESCOTT  
APS LOCATE DEPARTMENT  
602-493-4225

**RECLAIMED WATER SEWER  
WATER**  
CITY OF PRESCOTT  
DOUG FULLER (STREETS)  
928-777-1126

**FIBER OPTICS**  
CTLQL - CENTURYLINK  
USIC DISPATCH CENTER  
800-778-9140

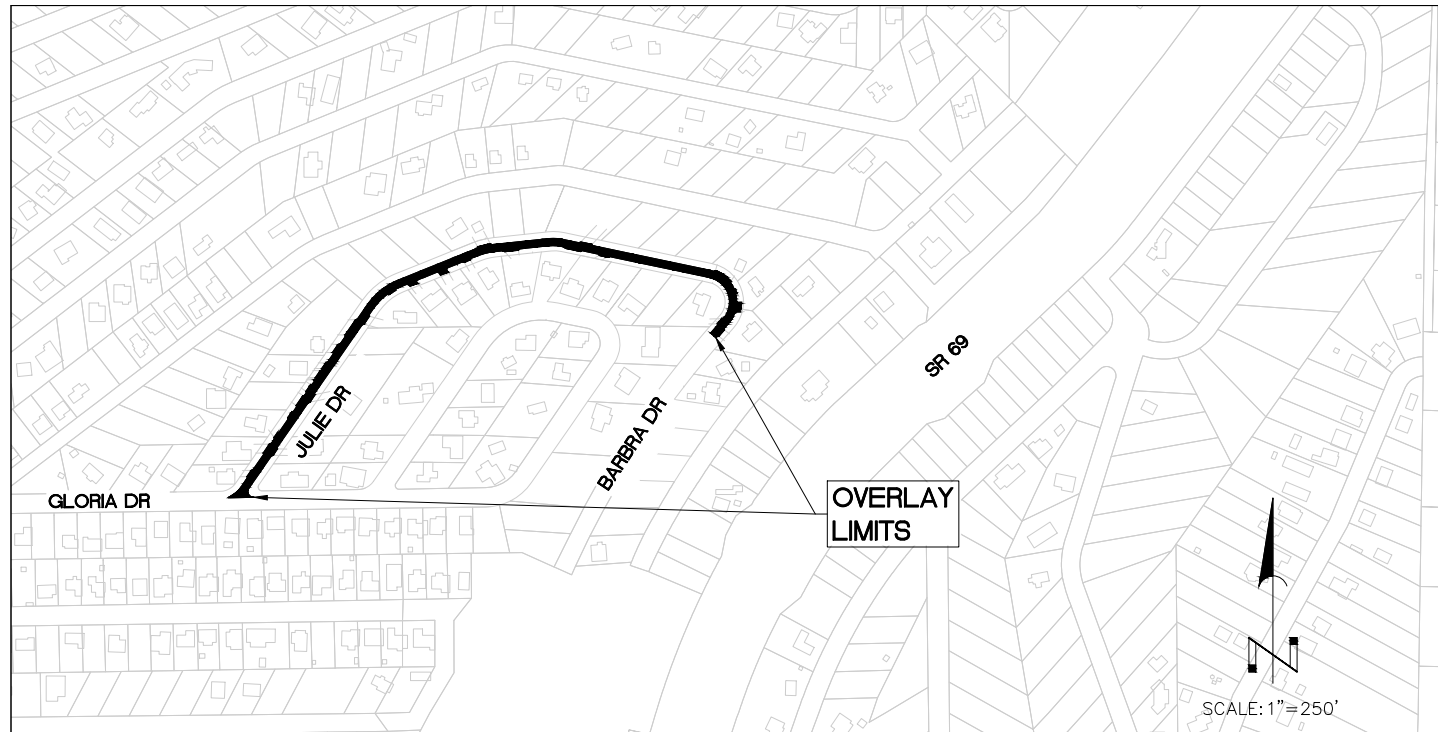


**YAVAPAI COUNTY  
PUBLIC WORKS DEPARTMENT**  
1100 COMMERCE DR. PRESCOTT, ARIZONA 86305  
(928) 771-3183  
ROGER McCORMICK, P.E. - PUBLIC WORKS DIRECTOR

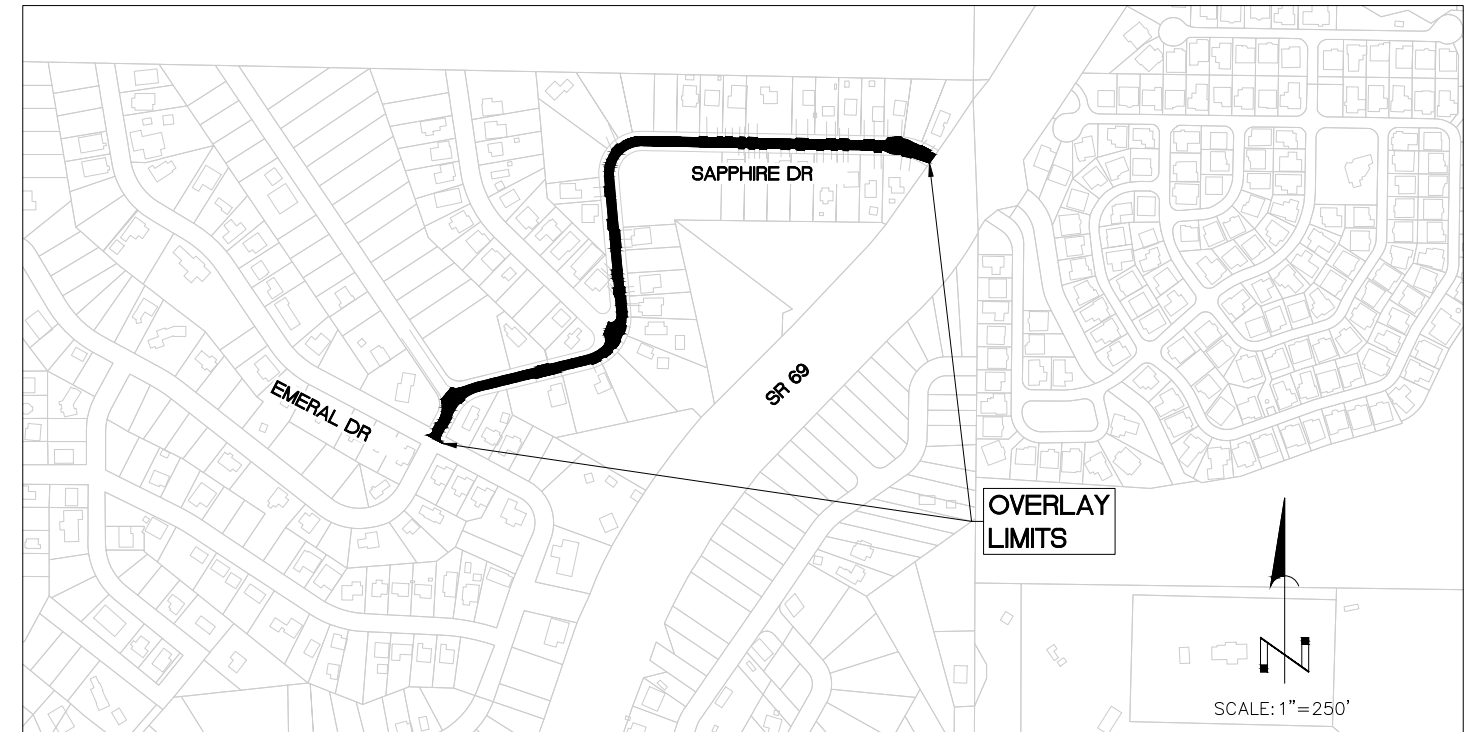
PROJECT NAME:	OVERLAY (SPRING, FY 2024-2025)
DESIGN BY:	TC
DRAWN BY:	TC
CHECKED BY:	JS
DATE:	4/7/2025
SHEET:	3 OF 9



## JULIE DRIVE VICINITY MAP



## SAPPHIRE DRIVE VICINITY MAP



### JULIE DRIVE EST QUANTITIES

Item No.	JULIE DR Description	Quantity	Unit
1	2" Overlay Asphaltic Concrete Pavement, 1/2" High Traffic, PG 64-22	458	TN
2	Shoulder Build-Up and Grading	2,639	LF
3	Shouldering Material	30	LF
4	Bituminous Tack Coat (0.10 GAL/SY)	434	GAL
5	Thickened Edge Pavement Prep	100	LF
6	Pavement Match Type "ML1"	1	EA
7	Pavement Match Type "C-1"	14	EA
8	Pavement Match Type "C-2"	2	EA
9	Pavement Match Type "G-1"	11	EA

### SAPPHIRE DRIVE EST QUANTITIES

Item No.	SAPPHIRE DR Description	Quantity	Unit
1	2" Overlay Asphaltic Concrete Pavement, 1/2" High Traffic, PG 64-22	654	TN
2	Shoulder Build-Up and Grading	2,484	LF
3	Shouldering Material	29	TN
4	Bituminous Tack Coat (0.10 GAL/SY)	574	GAL
5	Thickened Edge Pavement Prep	100	LF
6	Pavement Match Type "ML1"	2	EA
7	Pavement Match Type "ML2"	1	EA
8	Pavement Match Type "C-1"	16	EA
9	Pavement Match Type "C-2"	1	EA
10	Pavement Match Type "G-1"	21	EA
11	Pavement Match Type "P-1"	3	EA

### JULIE DRIVE GENERAL NOTES

- REGULATORY (POSTED) SPEED LIMIT = 25 MPH
- AVERAGE DAILY TRAFFIC (ADT) = 138
- LENGTH OF PROJECT = 1,753 LF

### SAPPHIRE DRIVE GENERAL NOTES

- REGULATORY (POSTED) SPEED LIMIT = 25 MPH
- AVERAGE DAILY TRAFFIC (ADT) = 374
- LENGTH OF PROJECT = 1,903 LF

### JULIE DRIVE UTILITY COMPANY NOTES

THE FOLLOWING LISTING OF COMPANIES REPRESENT UTILITIES THAT MAY EXIST IN THE AREA. UTILITIES ARE NOT SHOWN ON THESE PLANS AND IT IS THE SOLE RESPONSIBILITY OF THE CONTRACTOR TO DETERMINE THE EXISTENCE OF UTILITIES IN THE AREA AND NOTIFY BLUE STAKE AT LEAST 48 HOURS PRIOR TO INITIATING ANY CONSTRUCTION AT THE SITE.

**CULVERT/STORM DRAIN**  
ARIZONA DEPT. OF TRANSPORTATION-MARICOPA  
TIOFILO (TJ) SOTO  
928-277-2926

**CATV**  
CABLE ONE - PRESCOTT  
USIC DISPATCH CENTER  
800-778-9140

**ELECTRIC**  
ARIZONA DEPT. OF TRANSPORTATION-MARICOPA  
CHRIS SUMMERS  
928-642-2195

**WATER**  
DIAMOND VALLEY WATER DISTRICT  
DENNIS CHARLES  
928-458-5059

**FIBER OPTICS**  
CTLQL - CENTURYLINK  
USIC DISPATCH CENTER  
800-778-9140

**ELECTRIC**  
ARIZONA PUBLIC SERVICES-PRESCOTT  
APS LOCATE DEPARTMENT  
602-493-4225

**SEWER WATER**  
BRADSHAW WATER COMPANY INC  
DON BOHLIER  
928-713-2190

**RECLAIMED WATER, SEWER WATER**  
TOWN OF PRESCOTT VALLEY  
JAMES KENDALL  
928-237-0791

**GAS**  
UNISOURCE ENERGY SERVICES - PRESCOTT  
DEVON LOBSTEIN  
520-437-3267

**CULVERT/STORM DRAIN**  
ARIZONA DEPT. OF TRANSPORTATION-MARICOPA  
TIOFILO (TJ) SOTO  
928-277-2926

**CATV**  
CABLE ONE - PRESCOTT  
USIC DISPATCH CENTER  
800-778-9140

**WATER**  
DIAMOND VALLEY WATER DISTRICT  
DENNIS CHARLES  
928-458-5059

**ELECTRIC**  
ARIZONA PUBLIC SERVICES-PRESCOTT  
APS LOCATE DEPARTMENT  
602-493-4225

**FIBER OPTICS**  
CTLQL - CENTURYLINK  
USIC DISPATCH CENTER  
800-778-9140

**GAS**  
UNISOURCE ENERGY SERVICES - PRESCOTT  
DEVON LOBSTEIN  
520-437-3267



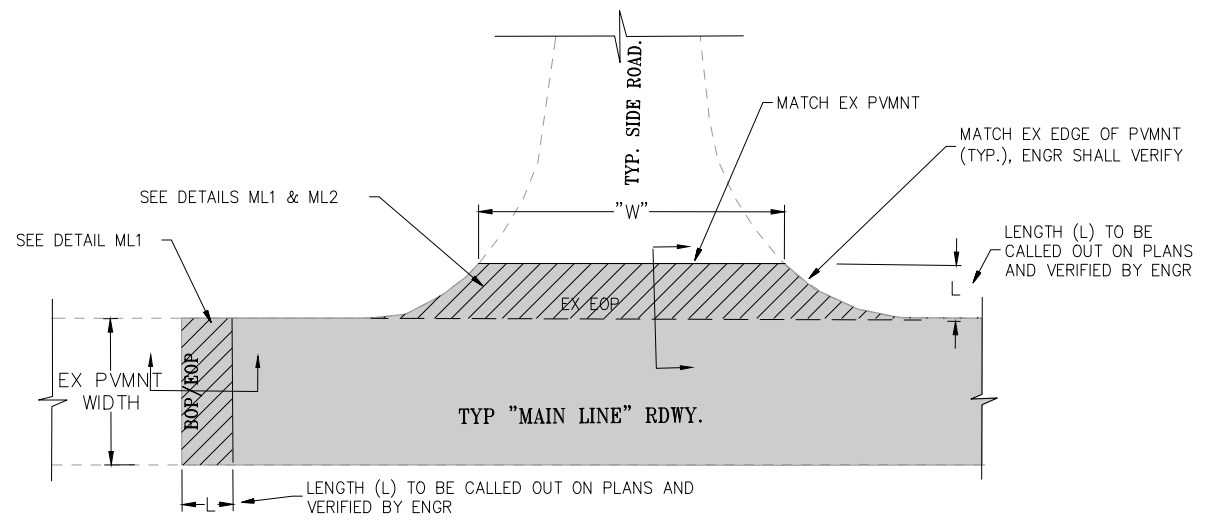
### SAPPHIRE DRIVE UTILITY COMPANY NOTES

THE FOLLOWING LISTING OF COMPANIES REPRESENT UTILITIES THAT MAY EXIST IN THE AREA. UTILITIES ARE NOT SHOWN ON THESE PLANS AND IT IS THE SOLE RESPONSIBILITY OF THE CONTRACTOR TO DETERMINE THE EXISTENCE OF UTILITIES IN THE AREA AND NOTIFY BLUE STAKE AT LEAST 48 HOURS PRIOR TO INITIATING ANY CONSTRUCTION AT THE SITE.

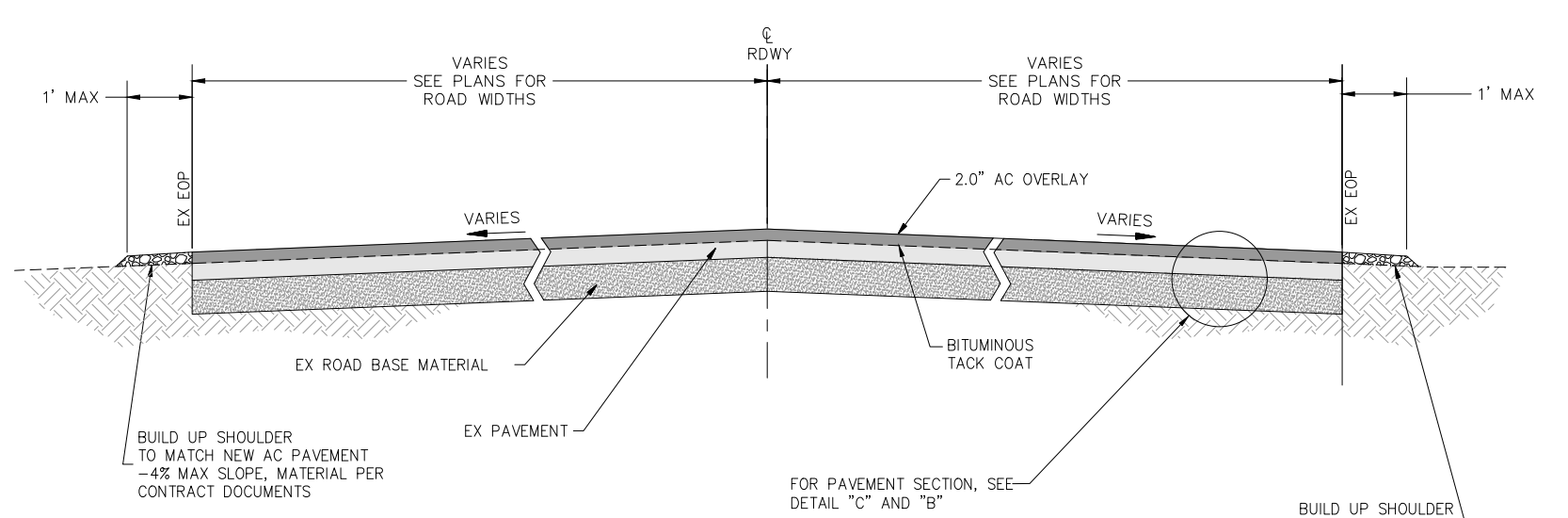
**YAVAPAI COUNTY PUBLIC WORKS DEPARTMENT**  
1100 COMMERCE DR. PRESCOTT, ARIZONA 86305  
(928) 771-3183  
ROGER McCORMICK, P.E. - PUBLIC WORKS DIRECTOR

PROJECT NAME:	OVERLAY (SPRING, FY 2024-2025)
PROJECT NUMBER:	25-02380
DESIGN BY:	TC
DRAWN BY:	TC
CHECKED BY:	JS
DATE:	4/7/2025
SHEET:	4 OF 9

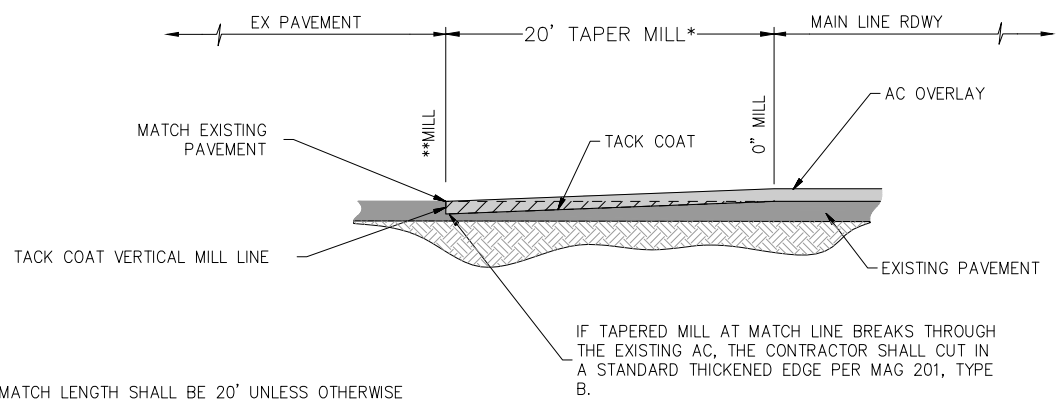




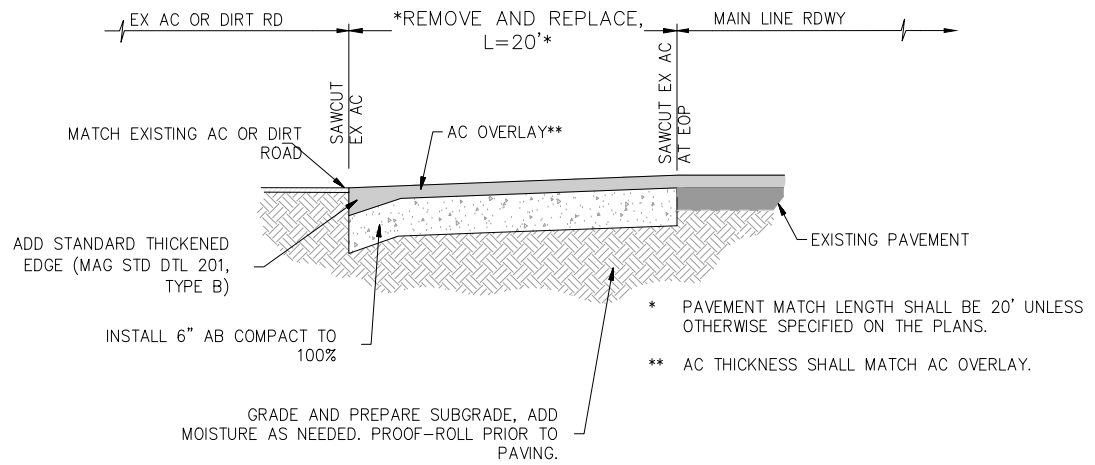
**PAVEMENT MATCH SCHEMATIC - MAIN LINE & SIDE ROADS**  
SEE DETAILS ML1 & ML2 BELOW NO SCALE



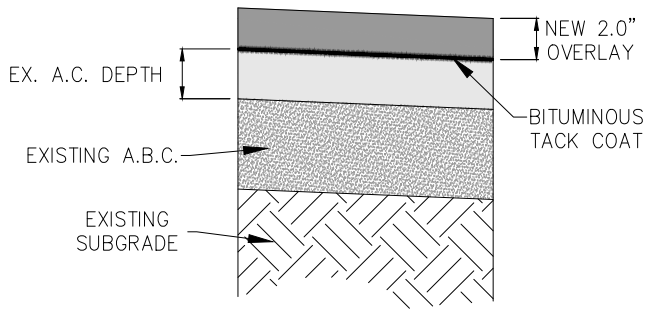
**OVERLAY TYPICAL SECTION** NO SCALE



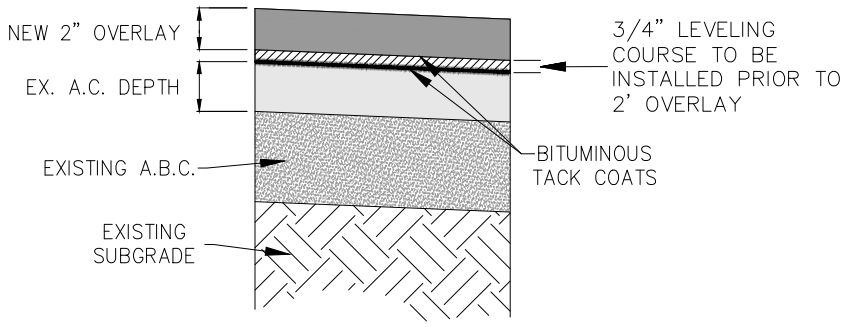
**ML1 DETAIL - MAIN LINE AND AC SIDE ROAD (X-SECTION)** NO SCALE



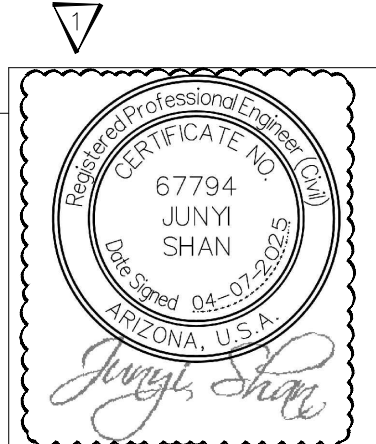
**ML2 DETAIL - CHIP SEAL OR DIRT SIDE ROAD (X-SECTION)** NO SCALE



**PAVEMENT SECTION** NO SCALE



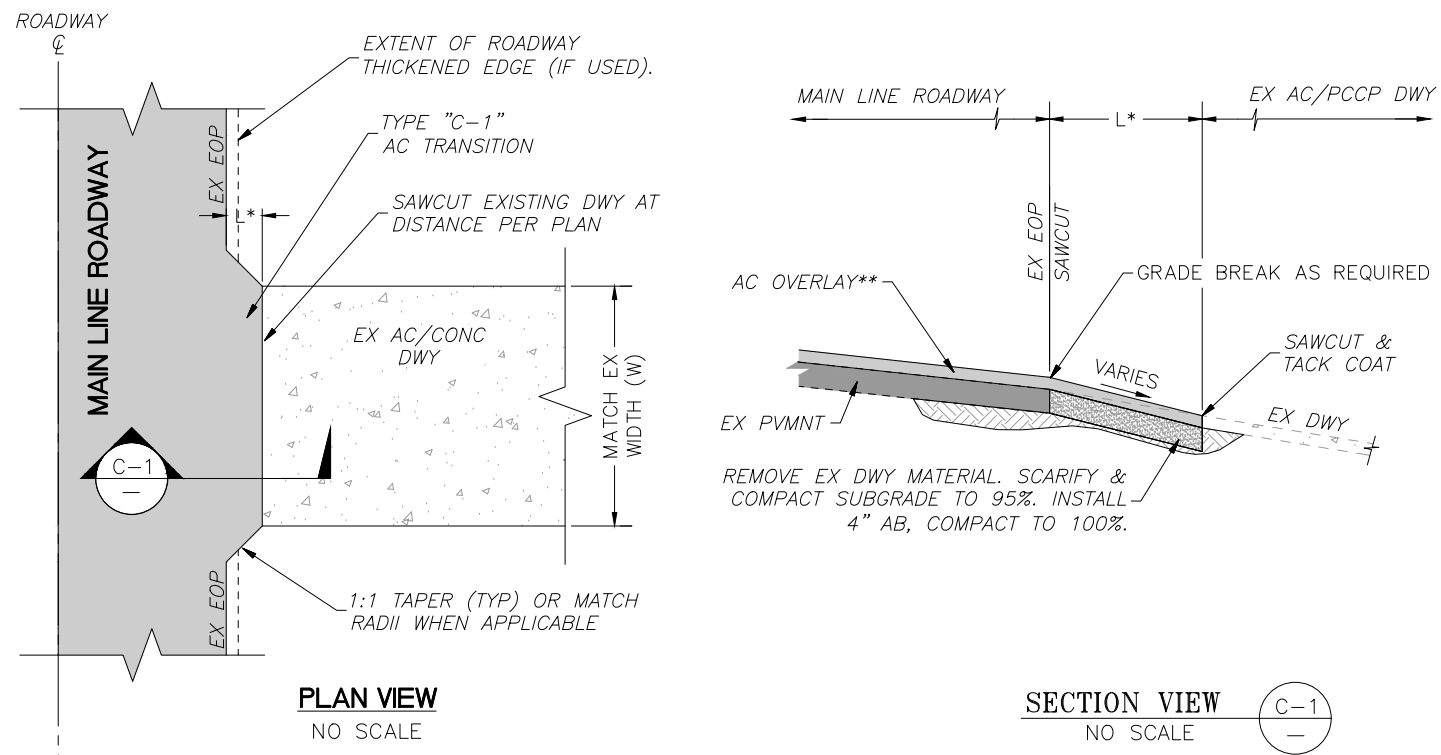
**JULIE DRIVE PAVEMENT SECTION**  
3/4" LEVELING COURSE STA. 2+50 TO 4+50 NO SCALE



<b>YAVAPAI COUNTY</b> <b>PUBLIC WORKS DEPARTMENT</b> 1100 COMMERCE DR. PRESCOTT, ARIZONA 86305 (928) 771-3183 ROGER McCORMICK, P.E. - PUBLIC WORKS DIRECTOR	
PROJECT NAME: <b>OVERLAY</b> (SPRING, FY 2024-2025)	PROJECT NUMBER: 25-02380
SHEET NAME: <b>DETAILS</b> (1 OF 2)	DESIGN BY: TC DRAWN BY: TC CHECKED BY: JS
	DATE: 4/7/2025 SHEET: 5 OF 9

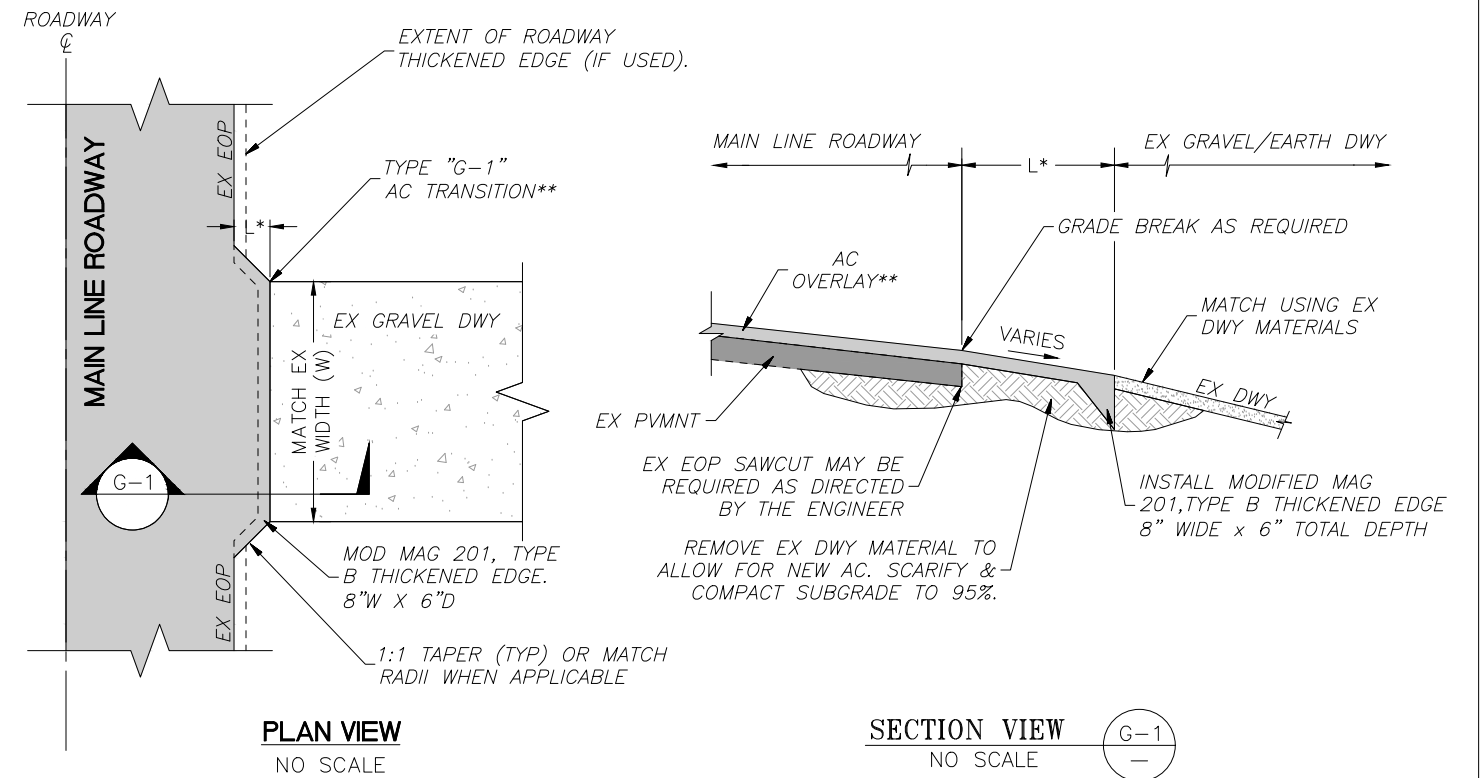


PLOT: Apr 07, 2025-11:24am



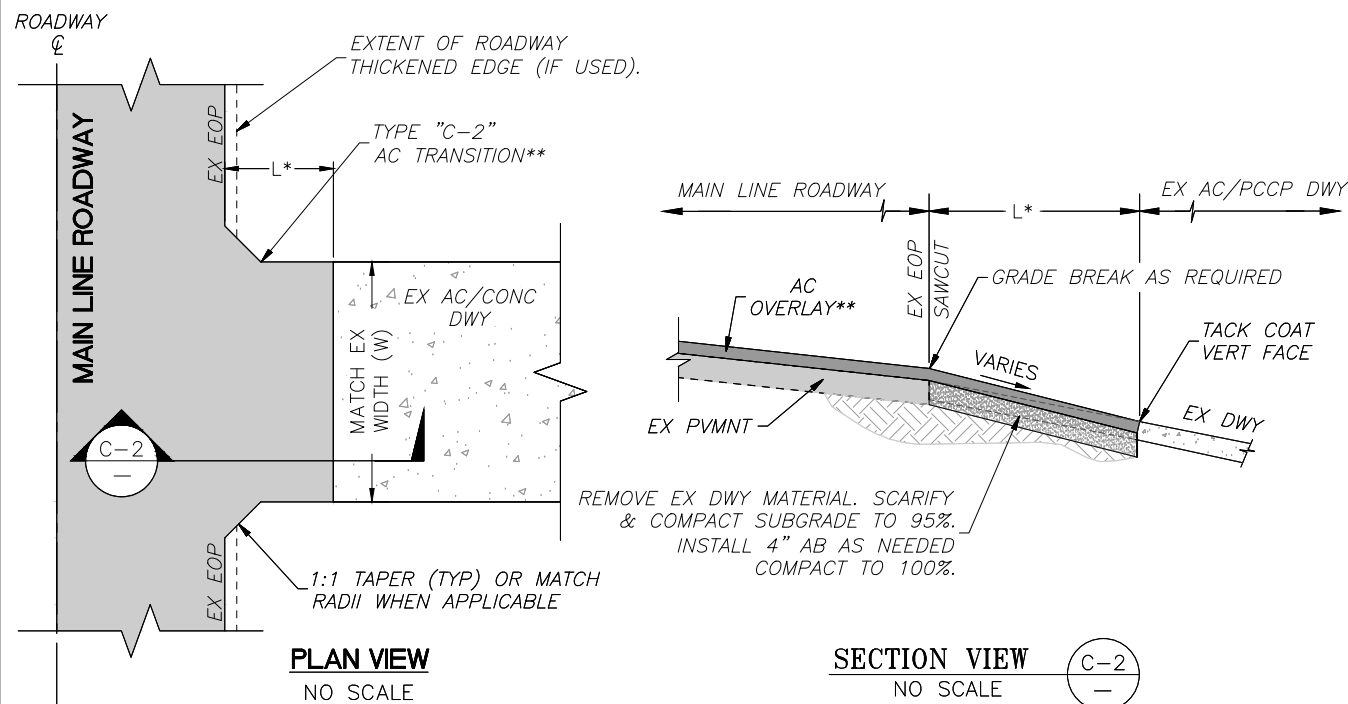
NOTES:  
 \* PAVEMENT MATCH LENGTH (L) SHALL BE 3' UNLESS OTHERWISE SPECIFIED ON THE PLANS. WIDTH (W) SHOWN IN PLAN.  
 \*\* AC THICKNESS SHALL MATCH AC OVERLAY.

**C-1 PAVEMENT OVERLAY DRIVEWAY MATCH**  
 NO SCALE



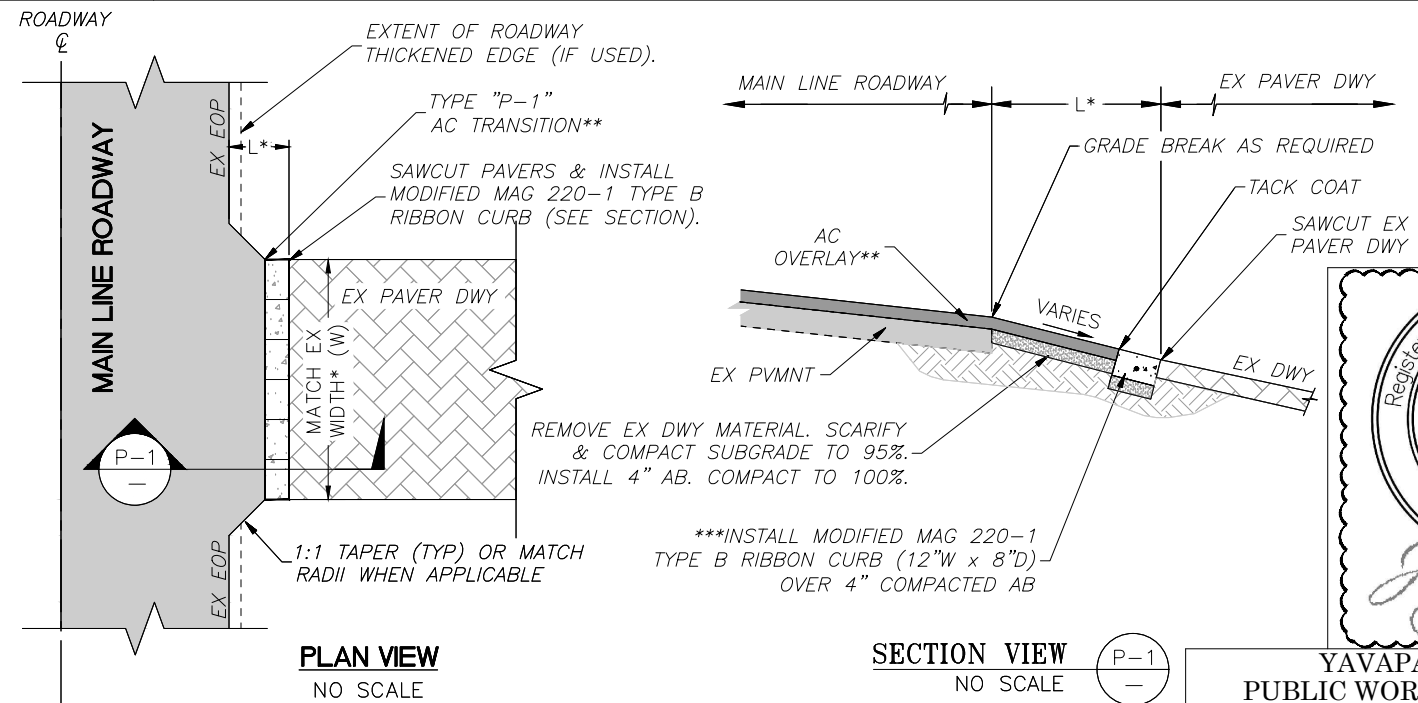
NOTES:  
 \* PAVEMENT MATCH LENGTH (L) SHALL BE 3' UNLESS OTHERWISE SPECIFIED ON THE PLANS. WIDTH (W) SHOWN IN PLAN.  
 \*\* AC THICKNESS SHALL MATCH AC OVERLAY.

**G-1 PAVEMENT OVERLAY DRIVEWAY MATCH**  
**EARTH/GRAVEL DRIVEWAY**  
 NO SCALE



NOTES:  
 \* MATCH LENGTH (L) & WIDTH (W) AS SHOWN IN PLAN.  
 \*\* AC THICKNESS SHALL MATCH AC OVERLAY.

**C-2 PAVEMENT OVERLAY DRIVEWAY MATCH**  
**EXTENDED MATCH**  
 NO SCALE



NOTES:  
 \* PAVEMENT MATCH LENGTH (L) SHALL BE 3' (2' AC MATCH + 1' RIBBON CURB) UNLESS OTHERWISE SPECIFIED ON THE PLANS. WIDTH (W) SHOWN IN PLANS.  
 \*\* AC THICKNESS SHALL MATCH AC OVERLAY. LENGTH/WIDTH TO BE DETERMINED IN FIELD BY ENGR.  
 \*\*\* USE MAG CLASS A CONCRETE. INSTALL (1) LENGTH #3 REBAR-3" CLEAR. INSTALL CONTROL JOINTS EVERY 20".

**P-1 PAVEMENT OVERLAY DRIVEWAY MATCH**  
**PAVER DRIVEWAY**  
 NO SCALE



**YAVAPAI COUNTY**  
**PUBLIC WORKS DEPARTMENT**  
 1100 COMMERCE DR. PRESCOTT, ARIZONA 86305  
 (928) 771-3183  
 ROGER McCORMICK, P.E. - PUBLIC WORKS DIRECTOR

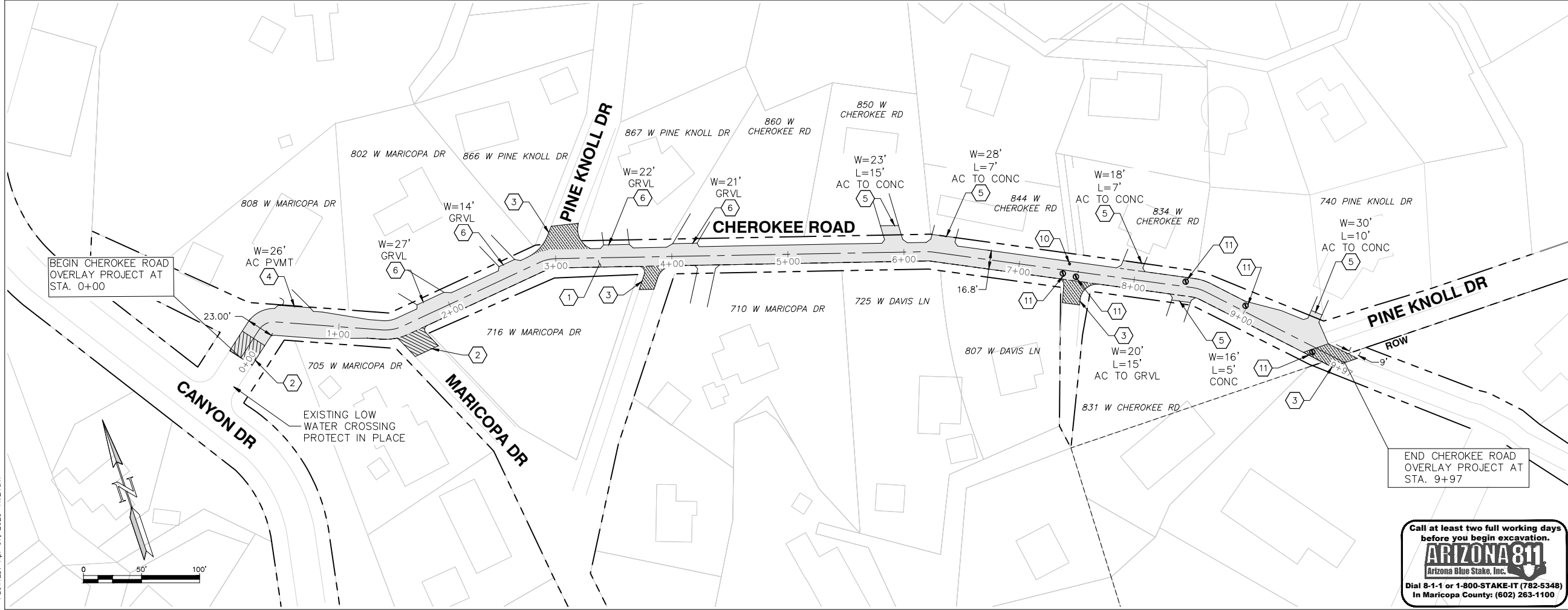
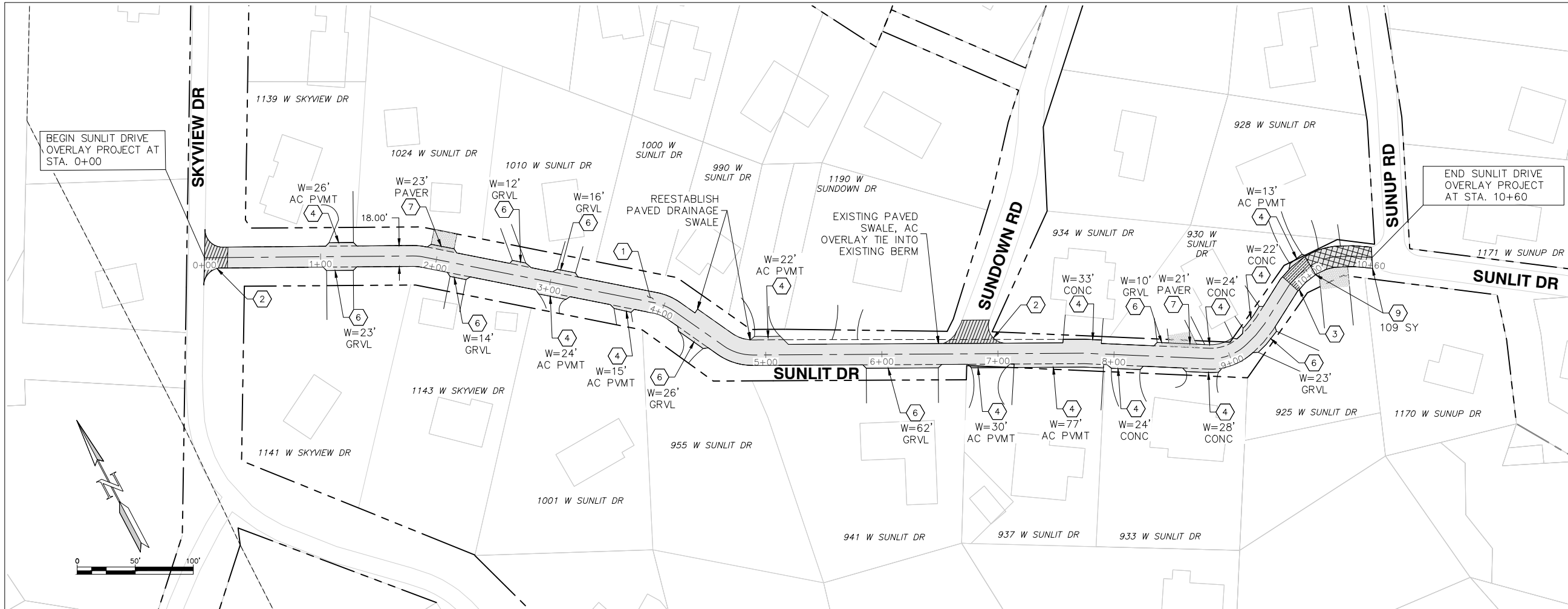
PROJECT NAME: **OVERLAY (SPRING, FY 2024-2025)**

SHEET NAME: **DETAILS (2 OF 2)**

PROJECT NUMBER: 25-02380  
 DESIGN BY: TC  
 DRAWN BY: TC  
 CHECKED BY: JS  
 DATE: 4/7/2025  
 SHEET: 6 OF 9



PLOTTED: Apr 07, 2025 - 11:24am



**CONSTRUCTION NOTES**

- ① (540 TONS) PERFORM OVERLAY WITH 2.0" AC MIX WITH YAVAPAI COUNTY MODIFIED 1/2" MAG 321 HIGH TRAFFIC A.C. MIX WITH PG 64-22 BINDER PER TYPICAL SECTION A, SEE SHEET 4.
- ② (4 EA) MATCH NEW OVERLAY TO ROADWAY SURFACE MAIN LINE TERMINATION DETAIL ML1 ON SHEET 4.
- ③ (5 EA) MATCH NEW OVERLAY TO ROADWAY SURFACE MAIN LINE TERMINATION DETAIL ML2 ON SHEET 4.
- ④ (13 EA) INSTALL 2.0" A.C. PAVEMENT MATCH TO EXISTING CONCRETE/A.C. PAVEMENT DRIVEWAY PER PAVEMENT MATCH DETAIL C-1 ON SHEET 5.
- ⑤ (5 EA) INSTALL 2.0" A.C. PAVEMENT MATCH TO EXISTING CONCRETE/A.C. PAVEMENT DRIVEWAY PER PAVEMENT MATCH DETAIL C-2 ON SHEET 5.
- ⑥ (12 EA) INSTALL 2.0" A.C. PAVEMENT MATCH TO EXISTING EARTHEN/GRAVEL DRIVEWAY PER PAVEMENT MATCH DETAIL G-1 ON SHEET 5.
- ⑦ (2 EA) INSTALL 2.0" A.C. PAVEMENT MATCH TO EXISTING PAVER DRIVEWAY PER PAVEMENT MATCH DETAIL P-1 ON SHEET 5.
- ⑧ (109 SY) REMOVE 2" BITUMINOUS SURFACE BY MILLING PER ADOT SPEC 202.
- ⑩ (1 EA) ADJUST WATER VALVE FRAME PER QUAD CITY STD DTL 391Q.
- ⑪ (5 EA) MANHOLE FRAME ADJUSTMENT PER QUAD CITY STD DTL 422Q.

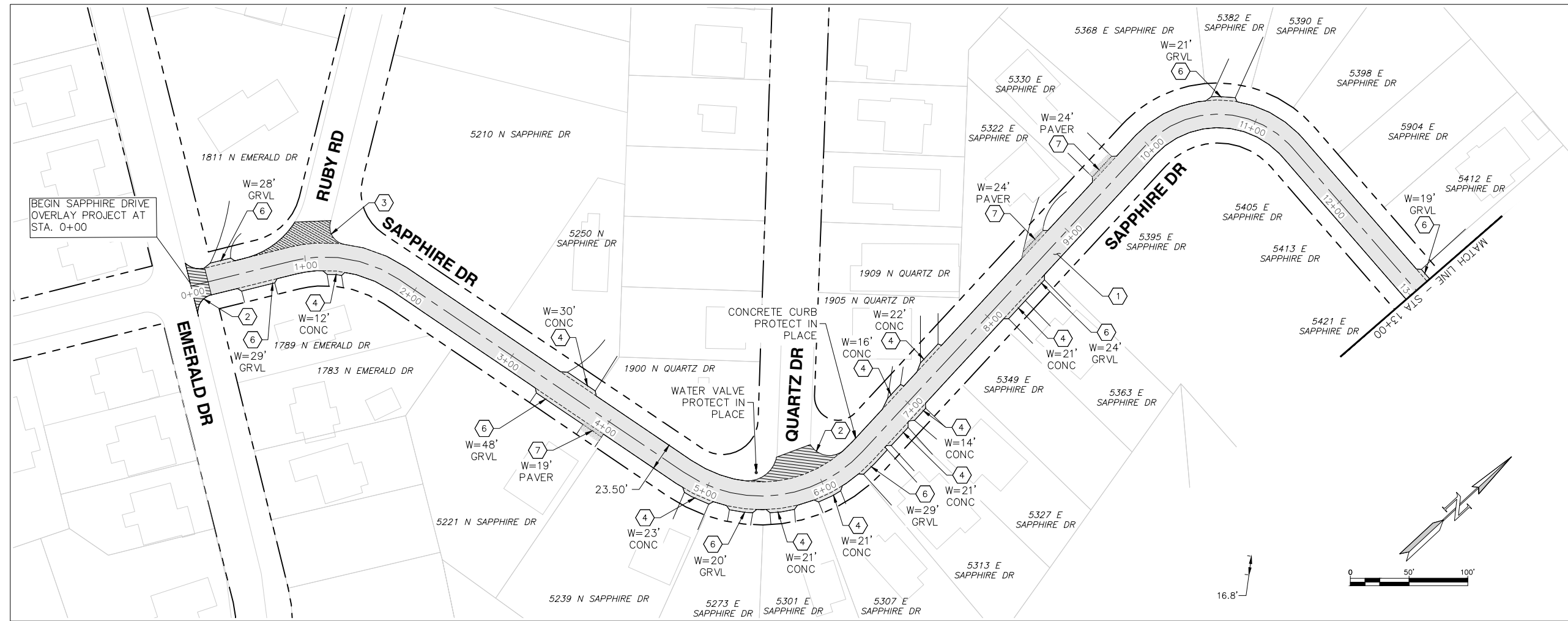


**YAVAPAI COUNTY  
PUBLIC WORKS DEPARTMENT**  
1100 COMMERCE DR. PRESCOTT, ARIZONA 86305  
(928) 771-3183  
ROGER McCORMICK, P.E. - PUBLIC WORKS DIRECTOR

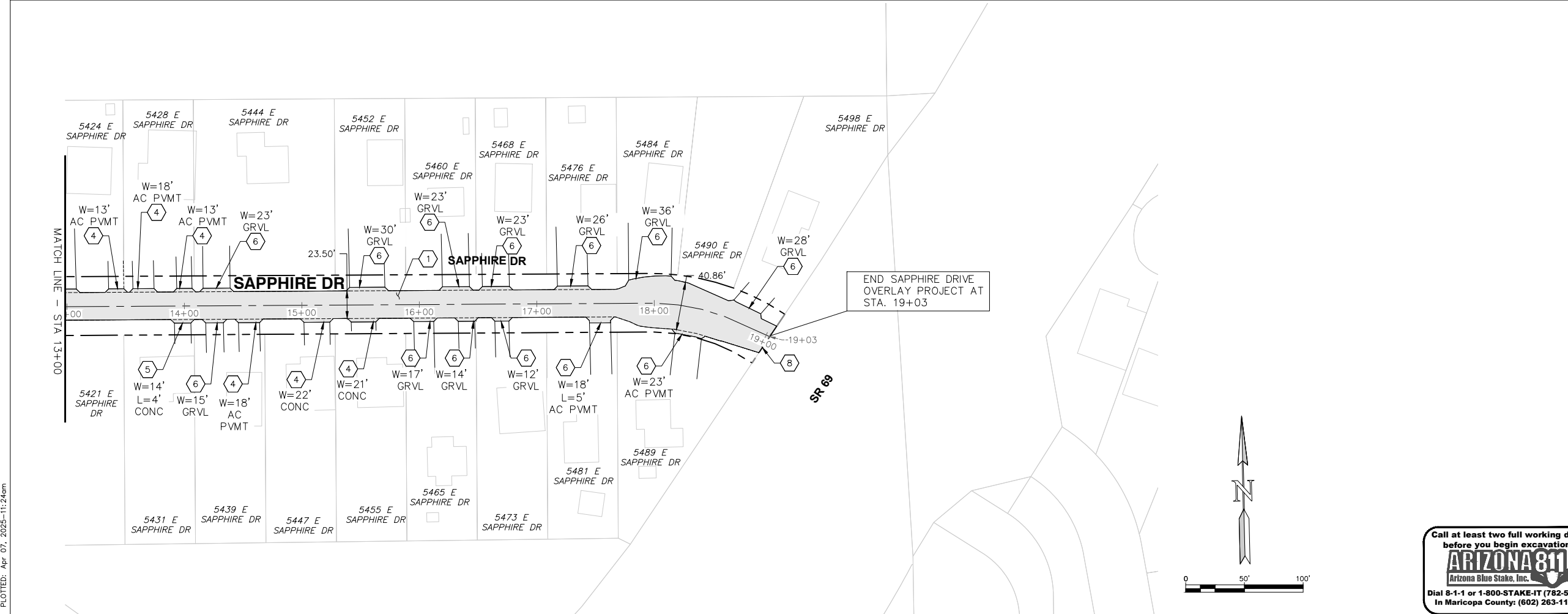
PROJECT NAME:	OVERLAY (SPRING, FY 2024-2025)
SHEET NAME:	SUNLIT DR AND CHEROKEE RD
PROJECT NUMBER:	25-02380
DESIGN BY:	TC
DRAWN BY:	TC
CHECKED BY:	JS
DATE:	4/7/2025
SHEET:	7 OF 9



PLOTTED: Apr 07, 2025 - 11:24am



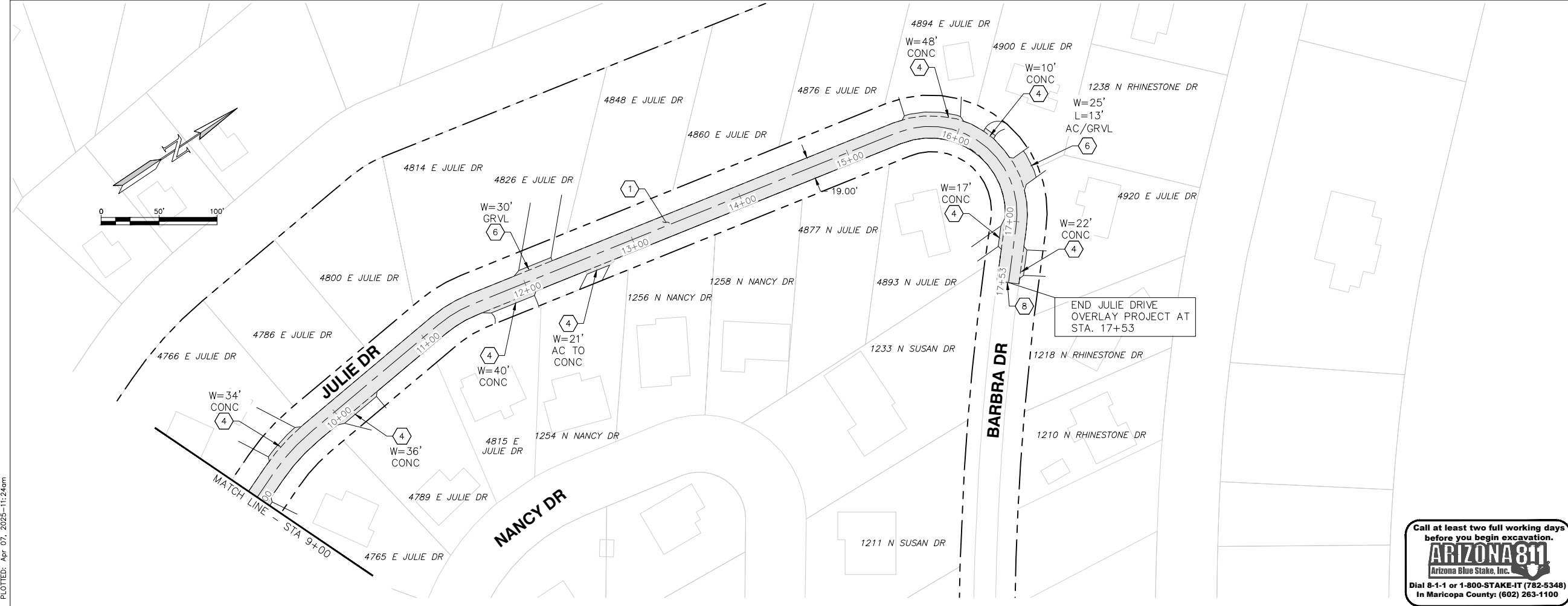
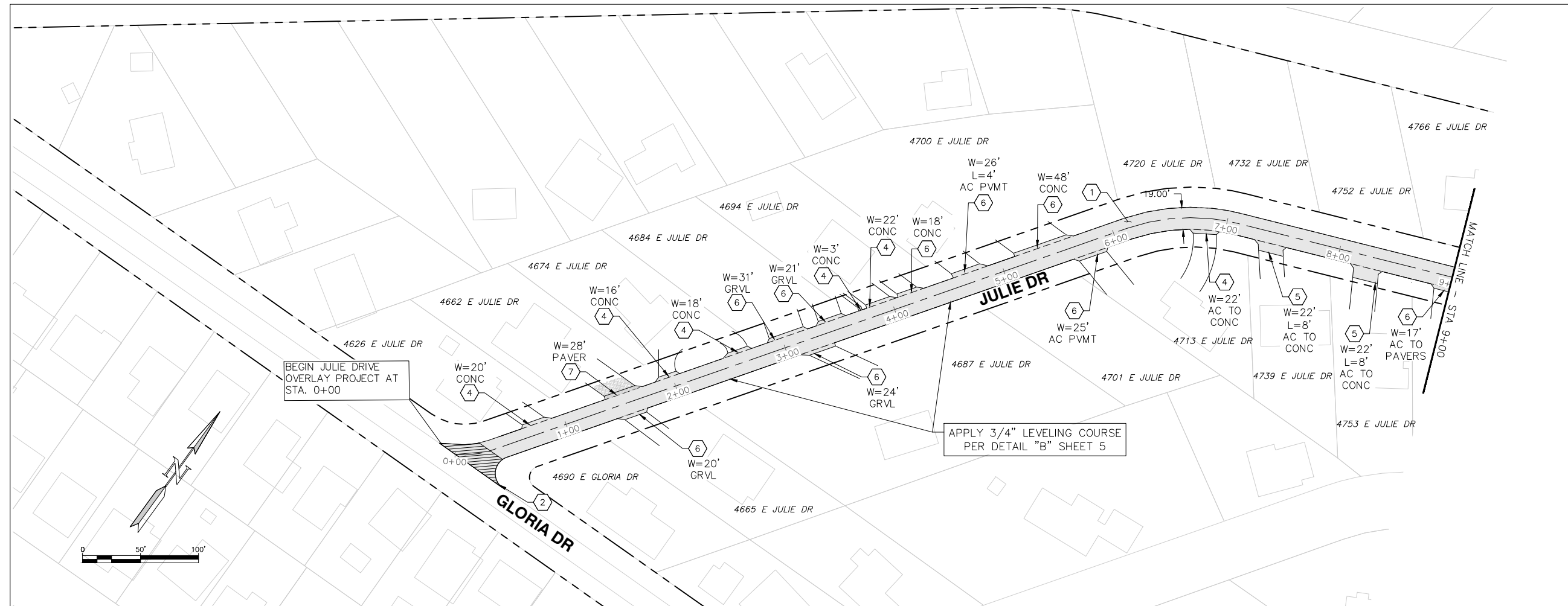
- ### CONSTRUCTION NOTES
- ① (654 TONS) PERFORM OVERLAY WITH 2.0" AC MIX WITH YAVAPAI COUNTY MODIFIED 1/2" MAG 321 HIGH TRAFFIC A.C. MIX WITH PG 64-22 BINDER PER TYPICAL SECTION A, SEE SHEET 4.
  - ② (2 EA) MATCH NEW OVERLAY TO EXISTING PAVEMENT PER MAIN LINE TERMINATION DETAIL ML1 ON SHEET 4.
  - ③ (1 EA) MATCH NEW OVERLAY TO ROADWAY SURFACE MAIN LINE TERMINATION DETAIL ML2 ON SHEET 4.
  - ④ (16 EA) INSTALL 2.0" A.C. PAVEMENT MATCH TO EXISTING CONCRETE/A.C. PAVEMENT DRIVEWAY PER PAVEMENT MATCH DETAIL C-1 ON SHEET 5.
  - ⑤ (1 EA) INSTALL 2.0" A.C. PAVEMENT MATCH TO EXISTING CONCRETE/A.C. PAVEMENT DRIVEWAY PER PAVEMENT MATCH DETAIL C-2 ON SHEET 5.
  - ⑥ (21 EA) INSTALL 2.0" A.C. PAVEMENT MATCH TO EXISTING EARTHEN/GRAVEL DRIVEWAY PER PAVEMENT MATCH DETAIL G-1 ON SHEET 5.
  - ⑦ (3 EA) INSTALL 2.0" A.C. PAVEMENT MATCH TO EXISTING PAVER DRIVEWAY PER PAVEMENT MATCH DETAIL P-1 ON SHEET 5.
  - ⑧ INSTALL STANDARD THICKENED EDGE PER MAG STANDARD DETAIL 201, TYPE B.



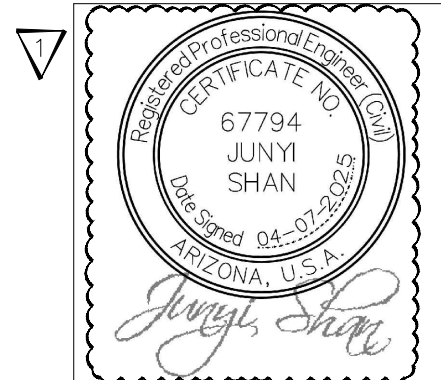
<b>YAVAPAI COUNTY PUBLIC WORKS DEPARTMENT</b>	
1100 COMMERCE DR. PRESCOTT, ARIZONA 86305 (928) 771-3183 ROGER McCORMICK, P.E. - PUBLIC WORKS DIRECTOR	
PROJECT NAME:	OVERLAY (SPRING, FY 2024-2025)
SHEET NAME:	SAPPHIRE DR
PROJECT NUMBER:	25-02380
DESIGN BY:	TC
DRAWN BY:	TC
CHECKED BY:	JS
DATE:	4/7/2025
SHEET:	8 OF 9



PLOTTED: Apr 07, 2025 - 11:24am



- CONSTRUCTION NOTES**
- ① (458 TONS) PERFORM OVERLAY WITH 2.0" AC MIX WITH YAVAPAI COUNTY MODIFIED 1/2" MAG 321 HIGH TRAFFIC A.C. MIX WITH PG 64-22 BINDER PER TYPICAL SECTION A, SEE SHEET 4.
  - ② (1 EA) MATCH NEW OVERLAY TO EXISTING PAVEMENT PER MAIN LINE TERMINATION DETAIL ML1 ON SHEET 4.
  - ④ (14 EA) INSTALL 2.0" A.C. PAVEMENT MATCH TO EXISTING CONCRETE/A.C. PAVEMENT DRIVEWAY PER PAVEMENT MATCH DETAIL C-1 ON SHEET 5.
  - ⑤ (2 EA) INSTALL 2.0" A.C. PAVEMENT MATCH TO EXISTING CONCRETE/A.C. PAVEMENT DRIVEWAY PER PAVEMENT MATCH DETAIL C-2 ON SHEET 5.
  - ⑥ (11 EA) INSTALL 2.0" A.C. PAVEMENT MATCH TO EXISTING EARTHEN/GRAVEL DRIVEWAY PER PAVEMENT MATCH DETAIL G-1 ON SHEET 5.
  - ⑦ (1 EA) INSTALL 2.0" A.C. PAVEMENT MATCH TO EXISTING PAVER DRIVEWAY PER PAVEMENT MATCH DETAIL P-1 ON SHEET 5.
  - ⑧ INSTALL STANDARD THICKENED EDGE PER MAG STANDARD DETAIL 201, TYPE B.



**YAVAPAI COUNTY  
PUBLIC WORKS DEPARTMENT**  
1100 COMMERCE DR. PRESCOTT, ARIZONA 86305  
(928) 771-3183  
ROGER McCORMICK, P.E. - PUBLIC WORKS DIRECTOR

PROJECT NAME:	OVERLAY (SPRING, FY 2024-2025)	PROJECT NUMBER:	25-02380
DESIGN BY:	TC	DRAWN BY:	TC
CHECKED BY:	JS	DATE:	4/7/2025
SHEET NAME:	JULIE DR	SHEET:	9 OF 9



PLOTTED: Apr 07, 2025 - 11:24am